

# CKCL22X5R1A474M085AA

TDK Item Description : CKCL22X5R1A474MT\*\*\*\*

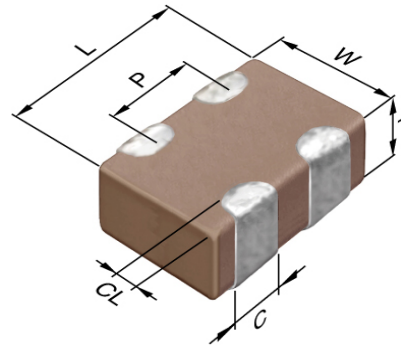


## Application & Main Feature

Commercial Grade ( 2 in 1 Array )

## Series

CKCL22(2012) [EIA CC0805]



## Dimensions

L 2.00mm +/-0.15mm  
 W 1.25mm +/-0.15mm  
 T 0.85mm +/-0.15mm  
 C 0.45mm Nom.  
 P 1.00mm Nom.

## Temperature Characteristic

X5R (-55 to 85 degC +/-15%)

## Rated Voltage

1A (10Vdc)

## Capacitance

470nF

## Capacitance Tolerance

M (+/-20%)

## Dissipation Factor

5% Max.

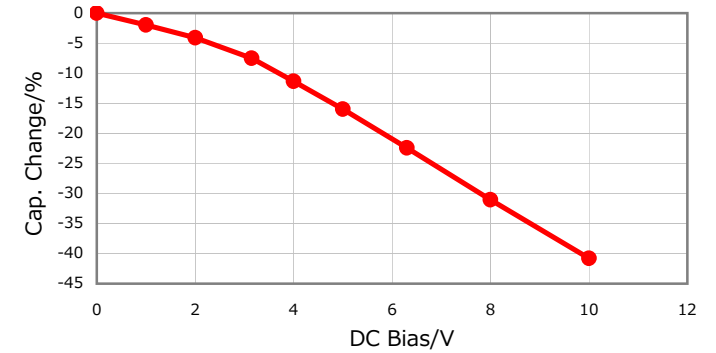
## Insulation Resistance

212Mohm Min.

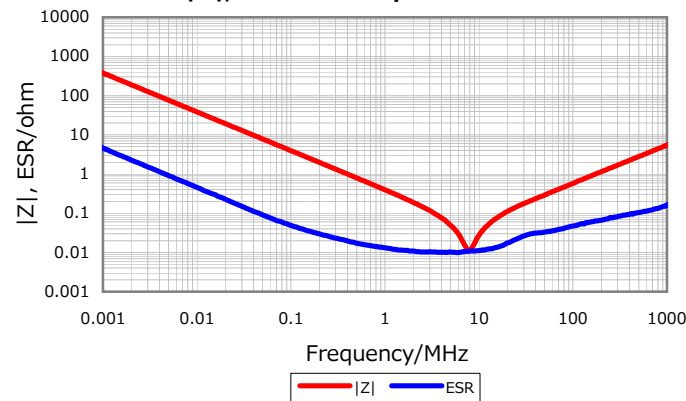
## AEC-Q200

Not Applicable

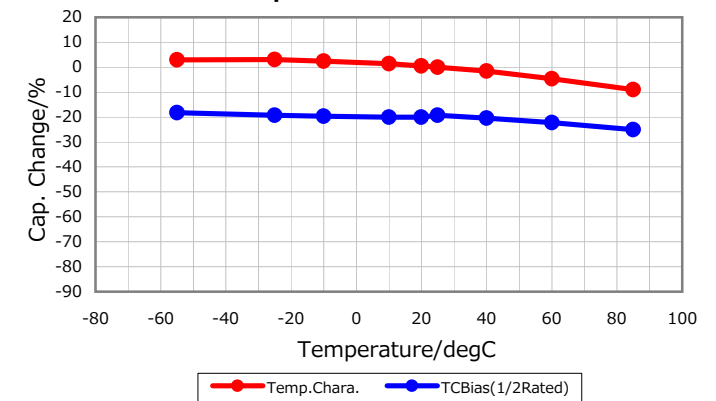
## DC Bias Characteristic



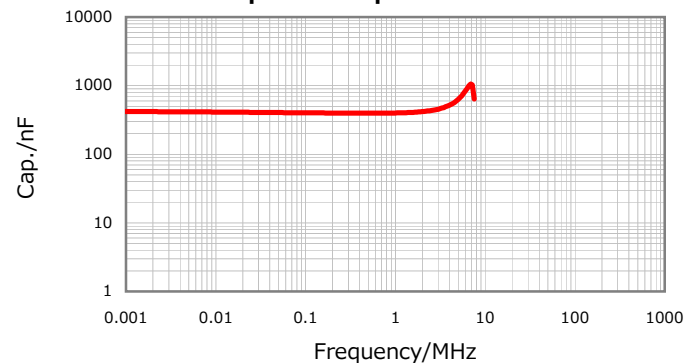
## |Z|, ESR vs. Freq. Characteristics



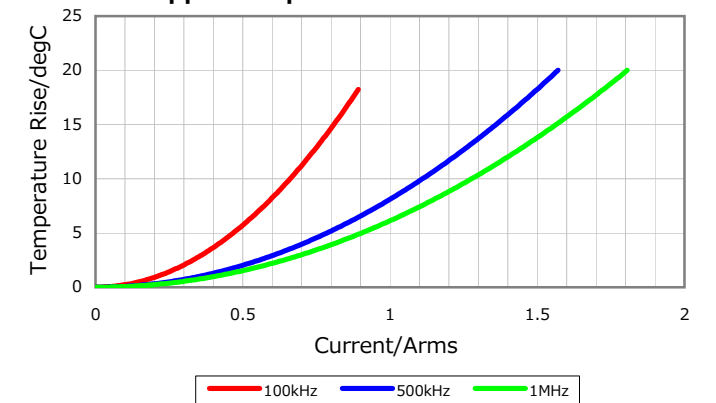
## Temperature Characteristics



## Cap. vs. Freq. Characteristic



## Ripple Temperature Rise Characteristics



Characterization Sheet ( Multilayer Ceramic Chip Capacitors )



All specifications are subject to change without notice.

January 4, 2016