



GE Sensing

A COMMITMENT TO EXCELLENCE

GE Sensing, Crown Industrial Estate, Priorswood Road, Taunton, Somerset, TA2 8QY, UK
Tel +44 (0) 1823 335200 Fax +44 (0) 1823 332637

TEST SPECIFICATION	GE PART No. YS5921PTO	ISSUE: A
CUSTOMER: Various	DATE: 24th March, 2010	QUANTITY:
Customer P/N:	ORIGINATOR: M.J.Roberts	PAGE 1 OF 1

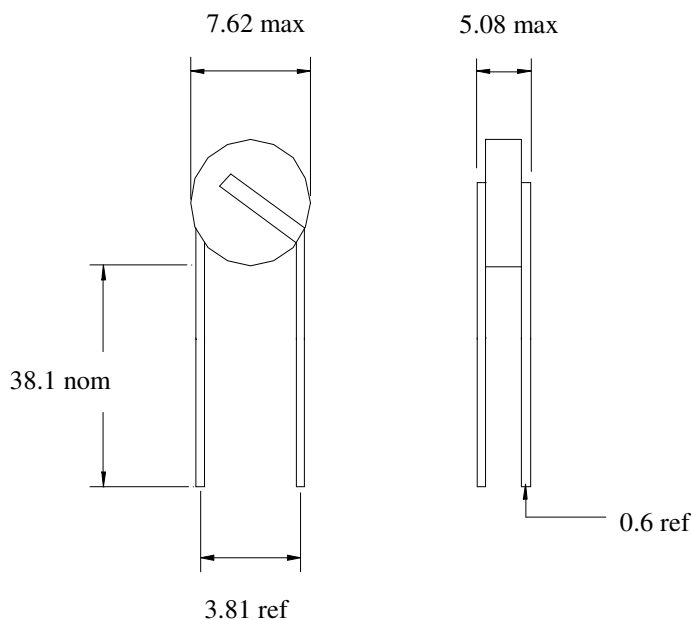
DESCRIPTION: PTC THERMISTOR INTENDED FOR USE AS A CURRENT LIMITING PROTECTION DEVICE

MECHANICAL SPECIFICATION

CONSTRUCTION: BARE CERAMIC DISC WITH UNINSULATED LEADWIRES
THICK FILM SILVER ELECTRODES

TERMINATIONS: TIN COATED COPPER WIRE

DIMENSIONS in mm NTS: SEE DRAWING BELOW.



ELECTRICAL SPECIFICATION:

RESISTANCE AT 25°C, R₂₅: 200Ω +/- 30% (1)

SWITCHING TEMPERATURE, T_b: 120°C +/- 7°C (2)

MAXIMUM OPERATING VOLTAGE, V_{max}, T_{amb} 55°C: 120V

AMBIENT TEMPERATURE RANGE,

STORAGE: - 25 to + 155°C

AT MAXIMUM VOLTAGE: +10 to + 55°C

NOTES

(1) Measuring current: 5mA max

(2) Resistance = 2 × Resistance minimum

CHANGES SINCE LAST ISSUE: Δ							
Issue :	A						
Date :	24/03/10						

The copyright in this Specification/Drawing/Document is the property of Thermometrics and the Specification/Drawing/Document is issued on the condition that it is not copied, reprinted, stored in an electronic retrieval system or reproduced, nor its contents disclosed either wholly or in part to any Third Party without either the consent in writing of or in accordance with the conditions of a contract with Thermometrics@GE THERMOMETRICS.