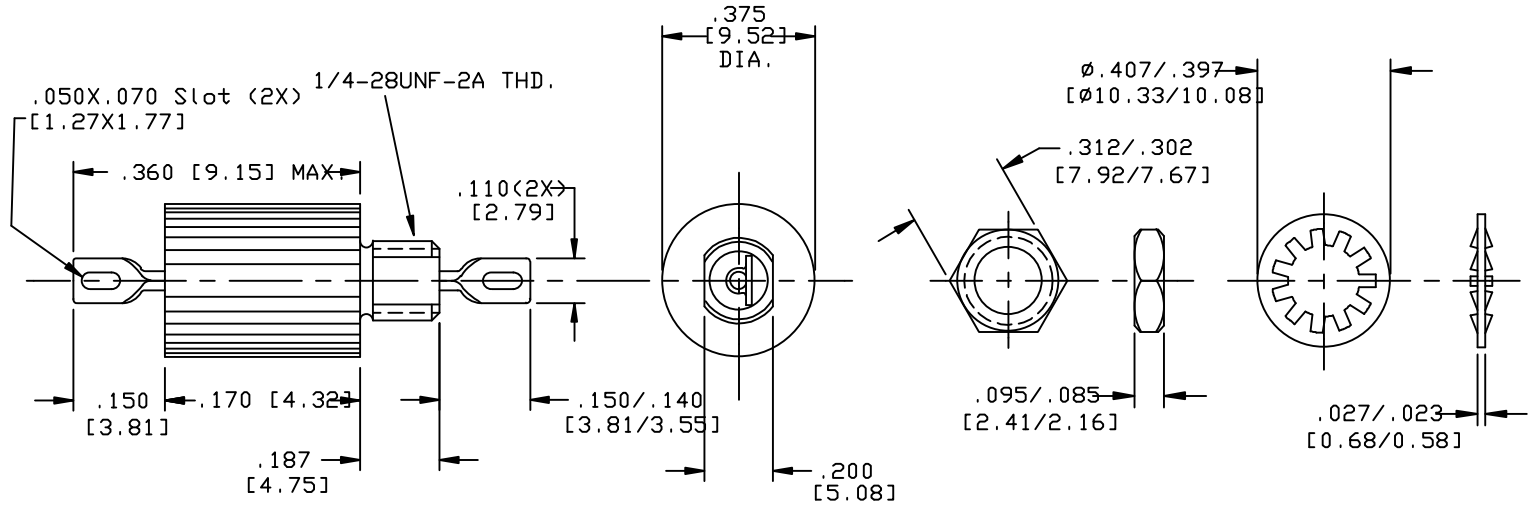


CASE FINISH	CURRENT (AMPS)	WORKING VOLTAGE				MAXIMUM DC RESISTANCE (OHMS)	MAXIMUM VOLTAGE DROP		REF. APPROX. CAP.	MIN. INSERTION LOSS PER MIL-STD-220 FULL LOAD, +25°C												
		-55°C TO +85°C		-55°C TO +125°C			DC	AC		14	30	50	75	100	150	300	500	1	10	100	1	10
		AC	DC	AC	DC					KHz	KHz	KHz	KHz	KHz	KHz	KHz	KHz	MHz	MHz	MHz	GHz	GHz
SOLDER	15	--	100	--	50	0.01	--	--	1.2MFD	--	15	--	--	--	28	33	--	44	60	--	70	70

PART MARKING:
M15733/49-0006
L DLSP2 DATE CODE

PACKAGE MARKING:
M15733/49-0006
L DLSP2
M# - DATE CODE
50VDC @ 125°C
15A L2

MARKING NOTES:
N/A

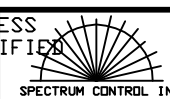


MTG. HARDWARE

NOTES:

1) MOUNTING TORQUE NOT TO EXCEED 7in-lbs.

REV	CHANGE NOTIC	NO.	DATE	BY	APP	DESCRIPTION
3	CN 182957					

UNLESS OTHERWISE SPECIFIED DIMENSIONS ARE IN INCHES. [MILLIMETERS] DO NOT SCALE.	TOLERANCES UNLESS OTHERWISE SPECIFIED	 SPECTRUM CONTROL INC. ERIE, FAIRVIEW PENNSYLVANIA	Description Pass EMI Filter 51-359-044	
	Fractions Dec. .xx± Dec. .xxx±010 Angles ±0° 30'			Dwn MAYNARD Ckd 4/3/98
	CODE IDENT. NO. DLSP2			Sheet 1 of 1

Quality Products From The Specialists In Electro-Magnetic Compatibility