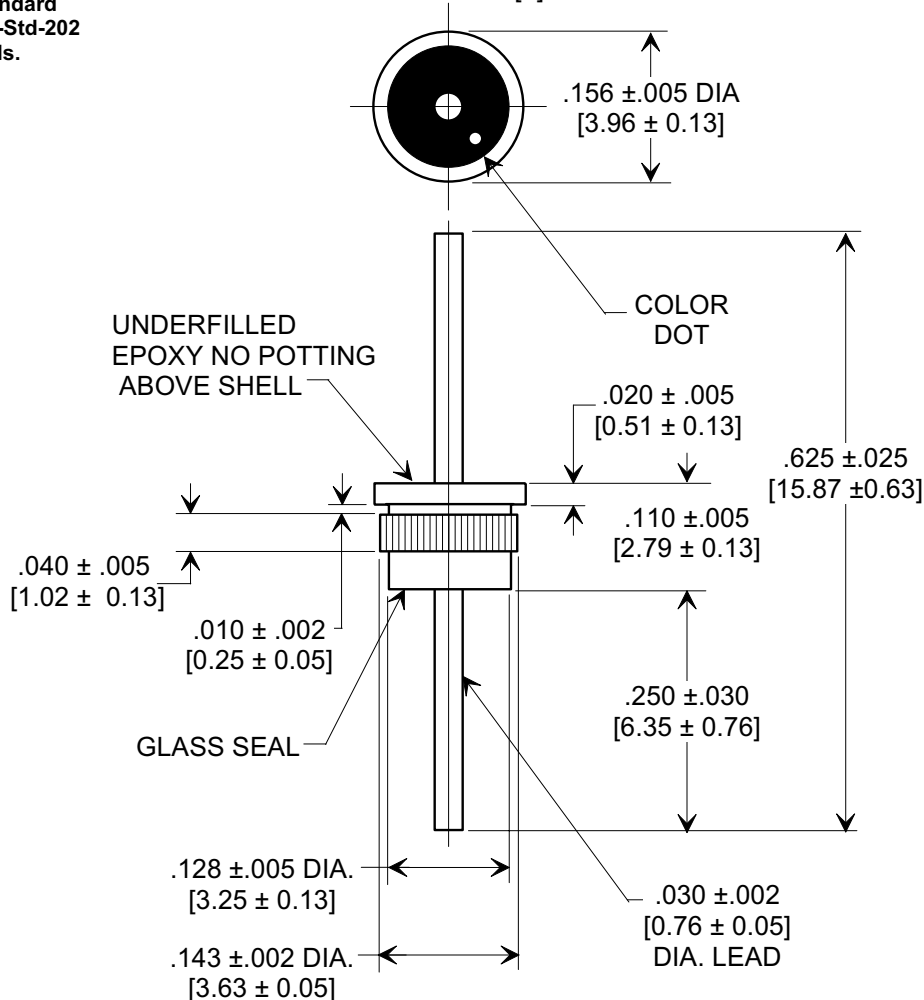
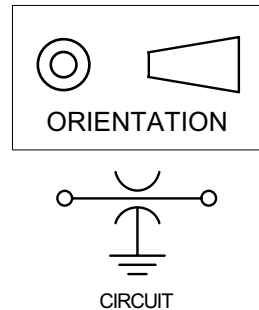


MARKETING SALES DRAWING

DIMENSIONS IN INCHES - DO NOT SCALE THIS DRAWING
 DIMENSIONS IN METRIC - []

Electrical Testing
 per Tusonix standard
 test plans and Mil-Std-202
 Test Methods.



NOTES:

1. Gold plating, type III (99.9% min.), 100 microinch thickness over 200 microinch nickel underplate.
2. Epoxy sealed on opposite end from glass.
3. Max. recommended terminal soldering temperature: 260°C.
4. Recommended mounting hole: .136/.137 [3.45/3.48]. Hole must be free of insulating material. Proper installation requires firm, steady pressure until flange is fully seated.
5. Operating temperature range: -55°C to +125°C.
6. Tusonix Standard part number: 4304-003.
 Tusonix RoHS compliant part number: 4304-003 LF.
 Customer must specify Standard or RoHS part number when ordering.
7. RoHS compliant part marked with additional dark green dot for identification.

| Cx (pF) | DC Working Voltage | | DC Current (Amps) | Dielectric Withstanding Voltage (VDC) | Insulation Resistance Min @ 100 (VDC) | MIN. NO LOAD INSERTION LOSS (dB) @ 25° C PER MIL-STD-220 | | | | | COLOR CODE |
|---------|--------------------|-------|-------------------|---------------------------------------|---------------------------------------|--|--------|---------|------|--------|------------|
| | 85°C | 125°C | | | | 1 MHz | 10 MHz | 100 MHz | 1GHz | 10 GHz | |
| 100 GMV | 300 | 200 | 5 | 500 | 10 G | --- | --- | 3 | 20 | 28 | GREEN |

X-2015 Rev-0

| | | | | |
|---|--|--|-------------------------------------|--|
| REVISION RECORD Original Release C.O. WAS SK 7718-005 L.E. 09-05-01 20010829-2-07 DIM. REV'D .040 ± .005 WAS +.005 / -.000 L.E. 10-04-01 20010921-7-06 INSERTION LOSS TABLE REV'D 28 WAS 33 L.E. 02-08-02 20020207-1-02 COLOR CODE & NOTE 5 ADDED L.E. 01-08-03 20030107-4-04 POTTING ABOVE SHELL REMOVED L.E. 03-07-03 20030304-4-05 ADDED NOTES 6 & 7. S.M. 05-31-05 20050513-4-37 | --TOLERANCES-- Unless Otherwise Specified | | Title PRESS-IN EMI FILTER | |
| | DECIMAL ± | | Drawn L.E. 08-03-01 | |
| | ANGLES ± | | Scale 5 X | |
| | TUSONIX TUCSON, ARIZONA | | Approved B.M. 08-03-01 | |
| | A | | 4304-003 | |