

CGA8R4C0G2W683J320KA

TDK Item Description : CGA8R4C0G2W683T***



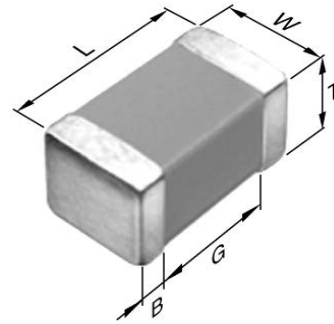
Equivalent C4532C0G2W683J for Automotive

Application & Main Feature

Automotive Grade (Mid Volatge (100 to 630V))

Series

CGA8(4532) [EIA CC1812]



Dimensions

| | |
|---|-----------------|
| L | 4.50mm +/-0.4mm |
| W | 3.20mm +/-0.4mm |
| T | 3.20mm +/-0.3mm |
| B | 0.20mm Min. |
| G | |

Temperature Characteristic

C0G (-55 to 125 degC 0+/-30ppm/degC)

Rated Voltage

2W (450Vdc)

Capacitance

68nF

Capacitance Tolerance

J (+/-5%)

Q Factor

1000 Min.

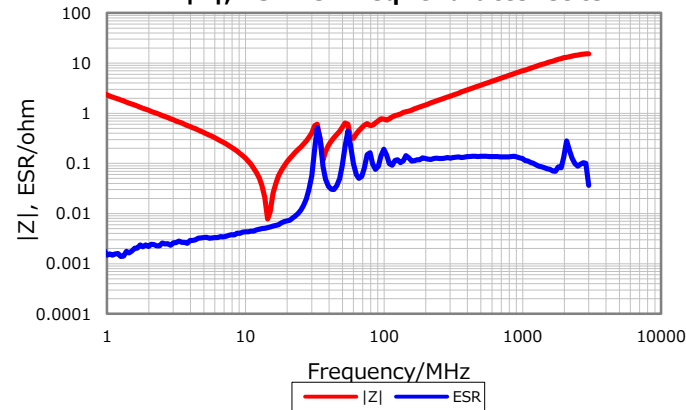
Insulation Resistance

7.352Gohm Min

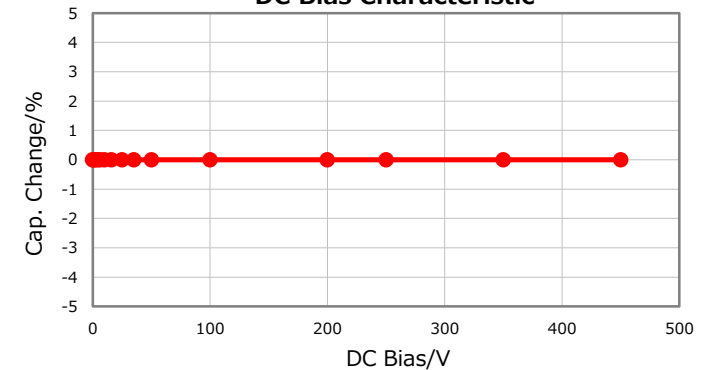
AEC-Q200

Yes

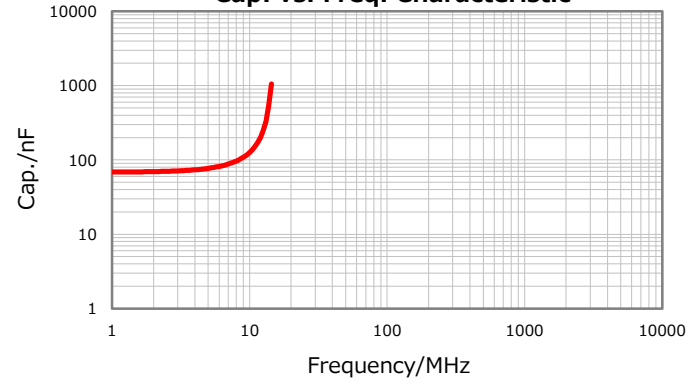
|Z|, ESR vs. Freq. Characteristics



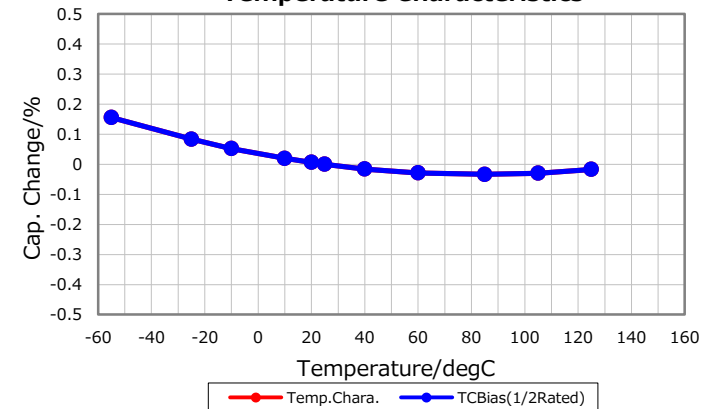
DC Bias Characteristic



Cap. vs. Freq. Characteristic



Temperature Characteristics



Characterization Sheet (Multilayer Ceramic Chip Capacitors)



All specifications are subject to change without notice.

April 13, 2016