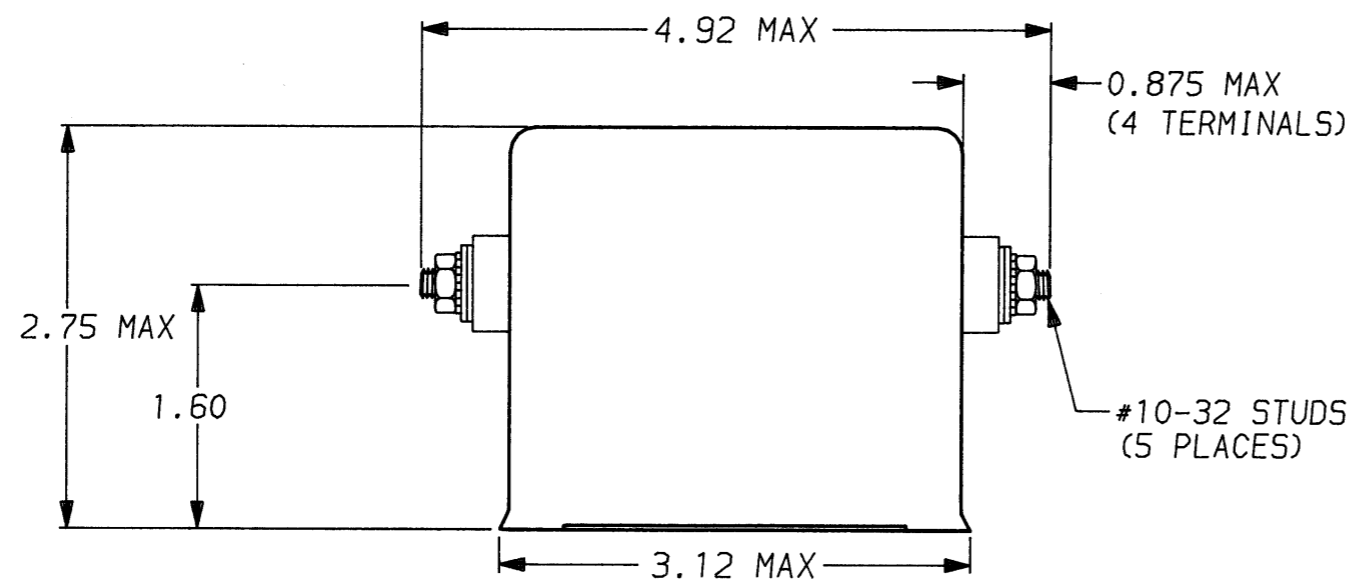
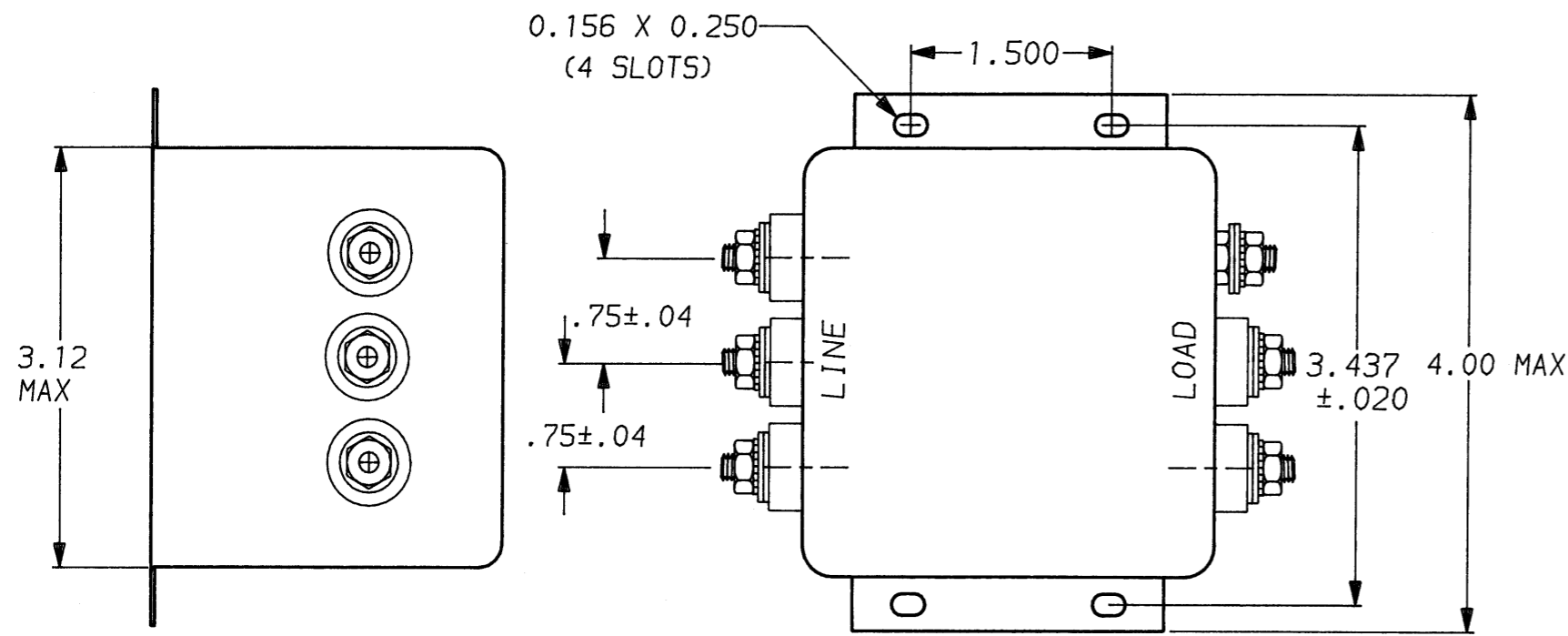


DESCRIPTION	APPROVED BY	DATE	REV
	C. Westbury	12-3-90	1
ECO-09-026495	AEG	10DEC09	2



1 OBSOLETE PARTS: OBSOLETE CIS STREAMLINING
PER D.RENAUD/D.SINISI

1-1609035-5 OBSOLETE **1**
1-6609035-5

SAFETY ORGANIZATION(S):

THIS FILTER HAS BEEN FORMALLY RECOGNIZED, CERTIFIED OR APPROVED BY THE LISTED AGENCY. THEREFORE, ALL TEST/REQUIREMENTS SPECIFIED IN THE LATEST REVISION OF THE FOLLOWING AGENCY STANDARDS HAVE BEEN MET:

UL RECOGNIZED
CSA CERTIFIED
VDE APPROVED

UL 1283
CSA 22.2, NO.0,0.4,8
VDE 565-3

OPERATING SPECIFICATIONS:

LINE VOLTAGE/CURRENT:

30 AMP., 120/250 VAC
25 AMP./40°C, 250 VAC

LINE FREQUENCY:

50-60Hz

MAX. CASE RISE @ RATED CURRENT:

40°C

MAX. LEAKAGE CURRENT, EACH

.3mA at 120V 60 Hz

LINE TO GROUND

.5 mA at 250V 50 Hz

OPERATING AMBIENT TEMP. RANGE:

-10°C TO +40°C @ RATED CURRENT, I_r

IN AN AMBIENT, T_a , HIGHER THAN 40°C, THE MAXIMUM OPERATING CURRENT, I_o , IS AS FOLLOWS:

$$I_o = I_r \sqrt{\frac{85 - T_a}{45}}$$

RELIABILITY SPECIFICATIONS:

STORAGE TEMPERATURE:

-40°C TO +85°C

HUMIDITY:

21 DAYS @ 40°C 95% RH

CURRENT OVERLOAD TEST:

6 TIMES RATED CURRENT FOR 8 SECONDS

TEST SPECIFICATIONS:

INDUCTANCE:

.529 mH NOMINAL (Gnd Choke)

CAPACITANCE:

1.73 mH NOMINAL

(MEASURED @ 1 KHz, 0.25 VAC MAX., 25°C ± 1°C)

LINE TO GROUND:

.004µF ± 20%

LINE TO LINE:

1.08µF ± 20%

DISCHARGE RESISTOR

235 KΩ

LINE/GROUND AND LINE/LINE

6000 MΩ (MIN) AT 100 VDC

INSULATION RESISTANCE

20°C AND 50% RH

RECOMMENDED RECEIVING INSPECTION HIPOT:

LINES TO GROUND:

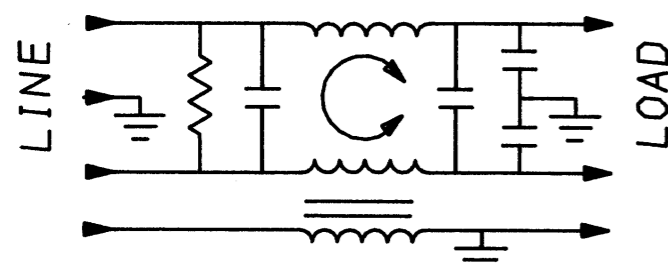
2250 VDC FOR 1 MINUTE

LINE TO LINE:

1450 VDC FOR 1 MINUTE

FILTER APPROVAL:

THE BEST WAY TO SELECT AND QUALIFY A FILTER IS FOR YOUR ENGINEERING TO TEST THE UNIT IN YOUR EQUIPMENT.



50Ω - 50Ω (MINIMUM) INSERTION LOSS										
FREQUENCY MHz	.01	.05	.2	.5	1.0	2.0	5.0	10	20	30
COMMON dB	2	9	18	27	31	36	40	41	38	36
DIFF. dB	5	13	14	60	60	60	51	43	43	43

This document is proprietary to CORCOM INC. and is not to be reproduced nor used for manufacturing purposes except on CORCOM's order or prior written consent.

TOLERANCE EXCEPT AS NOTED			
DECIMAL:	.XXX	.XX	.X
ENGLISH:	±.025		± 1°
METRIC:	±		
MATERIAL: AS SUPPLIED			
FINISH: AS SUPPLIED			

corcom
LIBERTYVILLE, IL 60048

POWER LINE FILTER

SCALE	DATE	DRG. NO.	REV.
NTS	9-12-89	30ESK6C.	2
DRW. BY	ORIGINATOR		
TDL	CW		