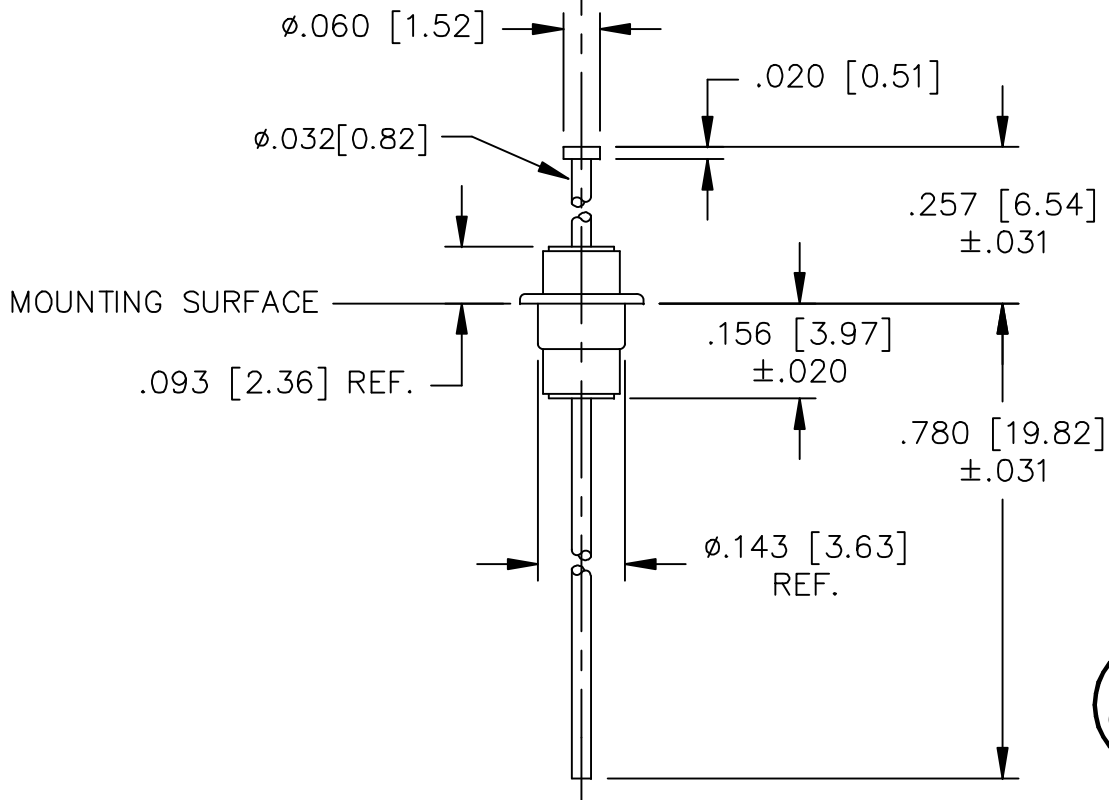


- NOTES:
 1) SUGGESTED MOUNTING HOLE=Ø.160
 2) THIS IS A LEAD FREE PRODUCT.
 3) MAX REFLOW IS 245°C FOR 5 SEC.

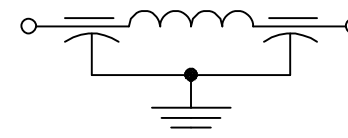


LEAD FINISH:	SOLDER
CAPACITANCE pF	12000pF GMV
TEMP. RANGE	-55°C TO 125°C
CURRENT	10 AMP
WORKING VOLTAGE	85°C, 100 VDC 125°C, 70 VDC
D.C. RESISTANCE	.01 OHM MAX.

I.L. PER MIL-STD-220
MIN. @ NO LOAD

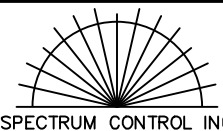
FREQ. MHz	I.L. (db)
10 MHz	25
20 MHz	40
100MHz	70
400MHz	70
10 GHz	70

SCHEMATIC



MARKING:

PART: NONE
 BAG: 1234F-000
 DATE CODE
 QTY./BAG (200 MAX.)

					04	03	02	01	00	REV. N.D.	TOLERANCES UNLESS OTHERWISE SPECIFIED	 SPECTRUM CONTROL INC. FAIRVIEW PENNSYLVANIA		
					CN 58826-ENG REDRAWN	CN 36348-ENG	CN 30483-CPD	CN 18102-CPD REDRAWN	CN 17019-CPD	CHANGE NOTICE	Fractions ± 1/64		Dwn. KAUFFMAN	Description
											Dec. .xx±		Date 4-28-11	FILTER, PI, EYELET, PB FREE
											Dec. .xxx± .015		Engr. S. PETERS	1234F-000
											Angles ±0° 30'		Scale 3X	
											CODE IDENT. NO. OLSP2			