

# MC74LVXT4052

## Analog Multiplexer/ Demultiplexer High-Performance Silicon-Gate CMOS

The MC74LVXT4052 utilizes silicon-gate CMOS technology to achieve fast propagation delays, low ON resistances, and low OFF leakage currents. This analog multiplexer/demultiplexer controls analog voltages that may vary across the complete power supply range (from  $V_{CC}$  to  $V_{EE}$ ).

The LVXT4052 is similar in pinout to the high-speed HC4052A and the metal-gate MC14052B. The Channel-Select inputs determine which one of the Analog Inputs/Outputs is to be connected, by means of an analog switch, to the Common Output/Input. When the Enable pin is HIGH, all analog switches are turned off.

The Channel-Select and Enable inputs are compatible with standard TTL levels.

This device has been designed so the ON resistance ( $R_{ON}$ ) is more linear over input voltage than the  $R_{ON}$  of metal-gate CMOS analog switches and High-Speed CMOS analog switches.

### Features

- Select Pins Compatible with TTL Levels
- Fast Switching and Propagation Speeds
- Low Crosstalk Between Switches
- Analog Power Supply Range ( $V_{CC} - V_{EE}$ ) = -3.0 V to +3.0 V
- Digital (Control) Power Supply Range ( $V_{CC} - GND$ ) = 2.5 to 6.0 V
- Improved Linearity and Lower ON Resistance Than Metal-Gate, HSL, or VHC Counterparts
- Low Noise
- Designed to Operate on a Single Supply with  $V_{EE} = GND$ , or Using Split Supplies up to  $\pm 3.0$  V
- Break-Before-Make Circuitry
- These Devices are Pb-Free and are RoHS Compliant



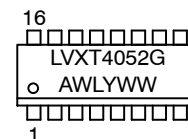
ON Semiconductor®

<http://onsemi.com>

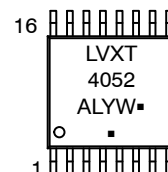
### MARKING DIAGRAMS



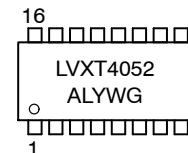
SOIC-16  
D SUFFIX  
CASE 751B



TSSOP-16  
DT SUFFIX  
CASE 948F



SOEIAJ-16  
M SUFFIX  
CASE 966



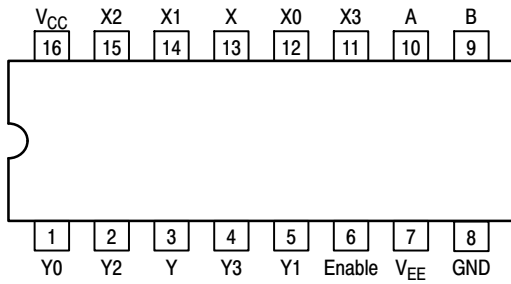
LVXT4052 = Specific Device Code  
A = Assembly Location  
WL, L = Wafer Lot  
Y = Year  
WW, W = Work Week  
G or ■ = Pb-Free Package

(Note: Microdot may be in either location)

### ORDERING INFORMATION

See detailed ordering and shipping information in the package dimensions section on page 2 of this data sheet.

# MC74LVXT4052

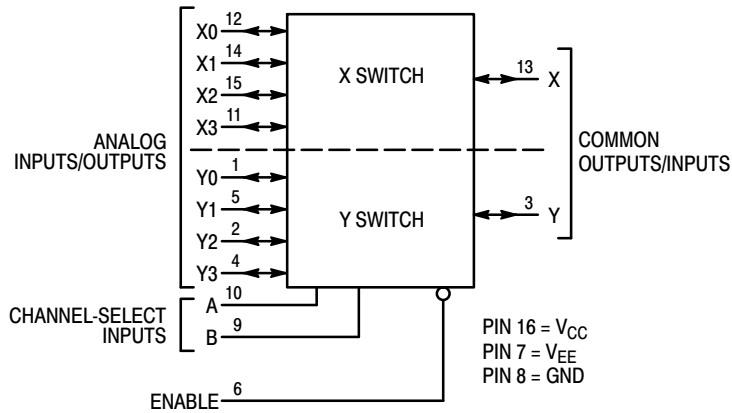


**Figure 1. Pin Connection and Marking Diagram (Top View)**

## FUNCTION TABLE

| Control Inputs |        |   | ON Channels |    |
|----------------|--------|---|-------------|----|
| Enable         | Select |   |             |    |
|                | B      | A | Y0          | X0 |
| L              | L      | L | Y1          | X1 |
| L              | L      | H | Y2          | X2 |
| L              | H      | L | Y3          | X3 |
| L              | H      | H |             |    |
| H              | X      | X | NONE        |    |

X = Don't Care



NOTE: This device allows independent control of each switch.  
Channel-Select Input A controls the X-Switch, Input B controls the Y-Switch.

**Figure 2. Logic Diagram  
Double-Pole, 4-Position Plus Common Off**

## ORDERING INFORMATION

| Device            | Package                | Shipping <sup>†</sup> |
|-------------------|------------------------|-----------------------|
| MC74LVXT4052DG    | SOIC-16<br>(Pb-Free)   | 48 Units / Rail       |
| MC74LVXT4052DR2G  | SOIC-16<br>(Pb-Free)   | 2500 Tape & Reel      |
| MC74LVXT4052DTG   | TSSOP-16*              | 96 Units / Rail       |
| MC74LVXT4052DTR2G | TSSOP-16*              | 2500 Tape & Reel      |
| MC74LVXT4052MG    | SOEIAJ-16<br>(Pb-Free) | 50 Units / Rail       |

<sup>†</sup>For information on tape and reel specifications, including part orientation and tape sizes, please refer to our Tape and Reel Packaging Specifications Brochure, BRD8011/D.

\*This package is inherently Pb-Free.

# MC74LVXT4052

## MAXIMUM RATINGS

| Symbol        | Parameter  | Value  | Unit     |
|---------------|--|--|----------|
| $V_{EE}$      | Negative DC Supply Voltage (Referenced to GND)                           | - 7.0 to + 0.5   | V        |
| $V_{CC}$      | Positive DC Supply Voltage (Referenced to GND) (Referenced to $V_{EE}$ ) | - 0.5 to + 7.0<br>- 0.5 to + 7.0   | V        |
| $V_{IS}$      | Analog Input Voltage   | $V_{EE} - 0.5$ to $V_{CC} + 0.5$   | V        |
| $V_{IN}$      | Digital Input Voltage (Referenced to GND)                                | - 0.5 to 7.0   | V        |
| I             | DC Current, Into or Out of Any Pin                                       | ± 20   | mA       |
| $T_{STG}$     | Storage Temperature Range  | - 65 to + 150  | °C       |
| $T_L$         | Lead Temperature, 1 mm from Case for 10 Seconds                          | 260  | °C       |
| $T_J$         | Junction Temperature under Bias  | + 150  | °C       |
| $\theta_{JA}$ | Thermal Resistance   | SOIC 143<br>TSSOP 164  | °C/W     |
| $P_D$         | Power Dissipation in Still Air,  | SOIC 500<br>TSSOP 450  | mW       |
| MSL           | Moisture Sensitivity   | Level 1  |          |
| $F_R$         | Flammability Rating  | Oxygen Index: 30% - 35%<br>UL 94-V0 @ 0.125 in   |          |
| $V_{ESD}$     | ESD Withstand Voltage  | Human Body Model (Note 1) > 2000<br>Machine Model (Note 2) > 200<br>Charged Device Model (Note 3) > 1000 | V        |
| $I_{LATCHUP}$ | Latchup Performance  | Above $V_{CC}$ and Below GND at 125°C (Note 4)   | ± 300 mA |

Maximum ratings are those values beyond which device damage can occur. Maximum ratings applied to the device are individual stress limit values (not normal operating conditions) and are not valid simultaneously. If these limits are exceeded, device functional operation is not implied, damage may occur and reliability may be affected.

1. Tested to EIA/JESD22-A114-A.
2. Tested to EIA/JESD22-A115-A.
3. Tested to JESD22-C101-A.
4. Tested to EIA/JESD78.

## RECOMMENDED OPERATING CONDITIONS

| Symbol     | Parameter  | Min  | Max            | Unit |
|------------|--|--|----------------|------|
| $V_{EE}$   | Negative DC Supply Voltage (Referenced to GND)                           | - 6.0  | GND            | V    |
| $V_{CC}$   | Positive DC Supply Voltage (Referenced to GND) (Referenced to $V_{EE}$ ) | 2.5<br>2.5   | 6.0<br>6.0     | V    |
| $V_{IS}$   | Analog Input Voltage   | $V_{EE}$   | $V_{CC}$       | V    |
| $V_{IN}$   | Digital Input Voltage (Note 5) (Referenced to GND)                       | 0  | 6.0            | V    |
| $T_A$      | Operating Temperature Range, All Package Types                           | - 55   | 125            | °C   |
| $t_r, t_f$ | Input Rise/Fall Time (Channel Select or Enable Inputs)                   | $V_{CC} = 3.0 V \pm 0.3 V$<br>$V_{CC} = 5.0 V \pm 0.5 V$ | 0<br>100<br>20 | ns/V |

5. Unused inputs may not be left open. All inputs must be tied to a high-logic voltage level or a low-logic input voltage level.

## DEVICE JUNCTION TEMPERATURE VERSUS TIME TO 0.1% BOND FAILURES

| Junction Temperature °C | Time, Hours | Time, Years |
|-------------------------|-------------|-------------|
| 80                      | 1,032,200   | 117.8       |
| 90                      | 419,300     | 47.9        |
| 100                     | 178,700     | 20.4        |
| 110                     | 79,600      | 9.4         |
| 120                     | 37,000      | 4.2         |
| 130                     | 17,800      | 2.0         |
| 140                     | 8,900       | 1.0         |

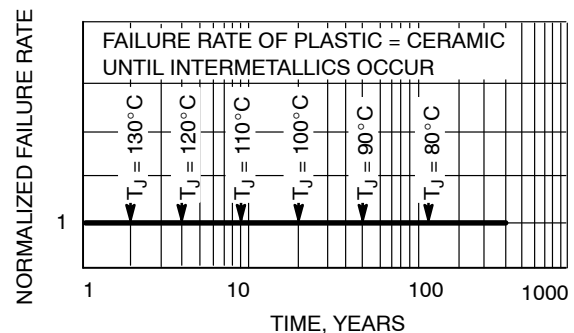


Figure 3. Failure Rate vs. Time Junction Temperature

# MC74LVXT4052

## DC CHARACTERISTICS – Digital Section (Voltages Referenced to GND)

| Symbol          | Parameter   | Condition   | V <sub>CC</sub><br>V | Guaranteed Limit |       |        | Unit |
|-----------------|---|---|----------------------|------------------|-------|--------|------|
|                 |   |   |                      | –55 to 25°C      | ≤85°C | ≤125°C |      |
| V <sub>IH</sub> | Minimum High-Level Input Voltage, Channel-Select or Enable Inputs |   | 3.0                  | 2.0              | 2.0   | 2.0    | V    |
|                 |   |   | 4.5                  | 2.0              | 2.0   | 2.0    |      |
|                 |   |   | 5.5                  | 2.0              | 2.0   | 2.0    |      |
| V <sub>IL</sub> | Maximum Low-Level Input Voltage, Channel-Select or Enable Inputs  |   | 3.0                  | 0.5              | 0.5   | 0.5    | V    |
|                 |   |   | 4.5                  | 0.8              | 0.8   | 0.8    |      |
|                 |   |   | 5.5                  | 0.8              | 0.8   | 0.8    |      |
| I <sub>IN</sub> | Maximum Input Leakage Current, Channel-Select or Enable Inputs    | V <sub>IN</sub> = 6.0 or GND  | 0 V to 6.0 V         | ±0.1             | ±1.0  | ±1.0   | μA   |
| I <sub>CC</sub> | Maximum Quiescent Supply Current (per Package)                    | Channel Select, Enable and V <sub>IS</sub> = V <sub>CC</sub> or GND | 6.0                  | 4.0              | 40    | 80     | μA   |

## DC ELECTRICAL CHARACTERISTICS – Analog Section

| Symbol           | Parameter  | Test Conditions   | V <sub>CC</sub><br>V | V <sub>EE</sub><br>V | Guaranteed Limit |            |            | Unit |
|------------------|--|---|----------------------|----------------------|------------------|------------|------------|------|
|                  |  |   |                      |                      | –55 to 25°C      | ≤85°C      | ≤125°C     |      |
| R <sub>ON</sub>  | Maximum “ON” Resistance  | V <sub>IN</sub> = V <sub>IL</sub> or V <sub>IH</sub><br>V <sub>IS</sub> = 1/2 (V <sub>CC</sub> - V <sub>EE</sub> )<br> I <sub>S</sub>   = 2.0 mA (Figure 4) | 3.0                  | 0                    | 86               | 108        | 120        | Ω    |
|                  |  |   | 4.5                  | 0                    | 37               | 46         | 55         |      |
|                  |  |   | 3.0                  | –3.0                 | 26               | 33         | 37         |      |
| ΔR <sub>ON</sub> | Maximum Difference in “ON” Resistance Between Any Two Channels in the Same Package | V <sub>IN</sub> = V <sub>IL</sub> or V <sub>IH</sub><br>V <sub>IS</sub> = 1/2 (V <sub>CC</sub> - V <sub>EE</sub> )<br> I <sub>S</sub>   = 2.0 mA            | 3.0                  | 0                    | 15               | 20         | 20         | Ω    |
|                  |  |   | 4.5                  | 0                    | 13               | 18         | 18         |      |
|                  |  |   | 3.0                  | –3.0                 | 10               | 15         | 15         |      |
| I <sub>off</sub> | Maximum Off-Channel Leakage Current, Any One Channel                               | V <sub>in</sub> = V <sub>IL</sub> or V <sub>IH</sub> ;<br>V <sub>IO</sub> = V <sub>CC</sub> or GND;<br>Switch Off (Figure 3)                                | 5.5<br>+3.0          | 0<br>–3.0            | 0.1<br>0.1       | 0.5<br>0.5 | 1.0<br>1.0 | μA   |
|                  | Maximum Off-Channel Leakage Current, Common Channel                                | V <sub>in</sub> = V <sub>IL</sub> or V <sub>IH</sub> ;<br>V <sub>IO</sub> = V <sub>CC</sub> or GND;<br>Switch Off (Figure 4)                                | 5.5<br>+3.0          | 0<br>–3.0            | 0.2<br>0.2       | 2.0<br>2.0 | 4.0<br>4.0 |      |
| I <sub>on</sub>  | Maximum On-Channel Leakage Current, Channel-to-Channel                             | V <sub>in</sub> = V <sub>IL</sub> or V <sub>IH</sub> ;<br>Switch-to-Switch = V <sub>CC</sub> or GND; (Figure 5)   | 5.5<br>+3.0          | 0<br>–3.0            | 0.2<br>0.2       | 2.0<br>2.0 | 4.0<br>4.0 | μA   |

## AC CHARACTERISTICS (Input t<sub>r</sub> = t<sub>f</sub> = 3 ns)

| Symbol           | Parameter                      | Test Conditions  | V <sub>CC</sub><br>V | V <sub>EE</sub><br>V | Guaranteed Limit |      |       |        | Unit |
|------------------|--------------------------------|--|----------------------|----------------------|------------------|------|-------|--------|------|
|                  |                                |  |                      |                      | –55 to 25°C      |      | ≤85°C | ≤125°C |      |
|                  |                                |  |                      |                      | Min              | Typ* |       |        |      |
| t <sub>BBM</sub> | Minimum Break-Before-Make Time | V <sub>IN</sub> = V <sub>IL</sub> or V <sub>IH</sub><br>V <sub>IS</sub> = V <sub>CC</sub><br>R <sub>L</sub> = 300 Ω, C <sub>L</sub> = 35 pF<br>(Figures 12 and 13) | 3.0                  | 0.0                  | 1.0              | 6.5  | –     | –      | ns   |
|                  |                                |  | 4.5                  | 0.0                  | 1.0              | 5.0  | –     | –      |      |
|                  |                                |  | 3.0                  | –3.0                 | 1.0              | 3.5  | –     | –      |      |

\*Typical Characteristics are at 25°C.

# MC74LVXT4052

## AC CHARACTERISTICS ( $C_L = 50$ pF, Input $t_r = t_f = 3$ ns)

| Symbol                   | Parameter  | $V_{CC}$<br>V                                    | $V_{EE}$<br>V | Guaranteed Limit |     |     |        |     |         | Unit |     |
|--------------------------|--|--|---------------|------------------|-----|-----|--------|-----|---------|------|-----|
|                          |  |  |               | - 55 to 25°C     |     |     | ≤ 85°C |     | ≤ 125°C |      |     |
|                          |  |  |               | Min              | Typ | Max | Min    | Max | Min     |      | Max |
| $t_{PLH}$ ,<br>$t_{PHL}$ | Maximum Propagation Delay, Channel-Select to Analog Output (Figures 16 and 17) | 2.5  | 0             |                  |     | 40  |        | 45  |         | 50   | ns  |
|                          |  | 3.0  | 0             |                  |     | 28  |        | 30  |         | 35   |     |
|                          |  | 4.5  | 0             |                  |     | 23  |        | 25  |         | 30   |     |
|                          |  | 3.0  | -3.0          |                  |     | 23  |        | 25  |         | 28   |     |
| $t_{PLZ}$ ,<br>$t_{PHZ}$ | Maximum Propagation Delay, Enable to Analog Output (Figures 14 and 15)         | 2.5  | 0             |                  |     | 40  |        | 45  |         | 50   | ns  |
|                          |  | 3.0  | 0             |                  |     | 28  |        | 30  |         | 35   |     |
|                          |  | 4.5  | 0             |                  |     | 23  |        | 25  |         | 30   |     |
|                          |  | 3.0  | -3.0          |                  |     | 23  |        | 25  |         | 28   |     |
| $t_{PZL}$ ,<br>$t_{PZH}$ | Maximum Propagation Delay, Enable to Analog Output (Figures 14 and 15)         | 2.5  | 0             |                  |     | 40  |        | 45  |         | 50   | ns  |
|                          |  | 3.0  | 0             |                  |     | 28  |        | 30  |         | 35   |     |
|                          |  | 4.5  | 0             |                  |     | 23  |        | 25  |         | 30   |     |
|                          |  | 3.0  | -3.0          |                  |     | 23  |        | 25  |         | 28   |     |
| $C_{PD}$                 | Power Dissipation Capacitance (Figure 18) (Note 6)                             | Typical @ 25°C, $V_{CC} = 5.0$ V, $V_{EE} = 0$ V |               |                  |     |     |        | pF  |         |      |     |
|                          |  | 45   |               |                  |     |     |        |     |         |      |     |
| $C_{IN}$                 | Maximum Input Capacitance, Channel-Select or Enable Inputs                     | 10   |               |                  |     |     |        | pF  |         |      |     |
| $C_{I/O}$                | Maximum Capacitance (All Switches Off)   | Analog I/O                                       |               | 10               |     |     |        |     |         | pF   |     |
|                          |  | Common O/I                                       |               | 10               |     |     |        |     |         |      |     |
|                          |  | Feedthrough                                      |               | 1.0              |     |     |        |     |         |      |     |

6. Used to determine the no-load dynamic power consumption:  $P_D = C_{PD} V_{CC}^2 f + I_{CC} V_{CC}$ .

## ADDITIONAL APPLICATION CHARACTERISTICS (GND = 0 V)

| Symbol    | Parameter  | Condition   | $V_{CC}$<br>V | $V_{EE}$<br>V | Typ  | Unit |
|-----------|--|---|---------------|---------------|------|------|
|           |  |   |               |               | 25°C |      |
| BW        | Maximum On-Channel Bandwidth or Minimum Frequency Response | $V_{IS} = \frac{1}{2} (V_{CC} - V_{EE})$<br>Ref and Test Attn = 10 dB<br>Source Amplitude = 0 dB<br>(Figure 7)  | 3.0           | 0.0           | 80   | MHz  |
|           |  |   | 4.5           | 0.0           | 80   |      |
|           |  |   | 6.0           | 0.0           | 80   |      |
|           |  |   | 3.0           | -3.0          | 80   |      |
| $V_{ISO}$ | Off-Channel Feedthrough Isolation                          | $f = 1$ MHz; $V_{IS} = \frac{1}{2} (V_{CC} - V_{EE})$<br>Adjust Network Analyzer output to 10 dBm on each output from the power splitter.<br>(Figures 8 and 9)  | 3.0           | 0.0           | -70  | dB   |
|           |  |   | 4.5           | 0.0           | -70  |      |
|           |  |   | 6.0           | 0.0           | -70  |      |
|           |  |   | 3.0           | -3.0          | -70  |      |
| $V_{ONL}$ | Maximum Feedthrough On Loss                                | $V_{IS} = \frac{1}{2} (V_{CC} - V_{EE})$<br>Adjust Network Analyzer output to 10 dBm on each output from the power splitter.<br>(Figure 11)                     | 3.0           | 0.0           | -2   | dB   |
|           |  |   | 4.5           | 0.0           | -2   |      |
|           |  |   | 6.0           | 0.0           | -2   |      |
|           |  |   | 3.0           | -3.0          | -2   |      |
| Q         | Charge Injection   | $V_{IN} = V_{CC}$ to $V_{EE}$ , $f_{IS} = 1$ kHz, $t_r = t_f = 3$ ns<br>$R_{IS} = 0$ $\Omega$ , $C_L = 1000$ pF, $Q = C_L * \Delta V_{OUT}$<br>(Figure 10)      | 5.0           | 0.0           | 9.0  | pC   |
|           |  |   | 3.0           | -3.0          | 12   |      |
| THD       | Total Harmonic Distortion THD + Noise                      | $f_{IS} = 1$ MHz, $R_L = 10$ K $\Omega$ , $C_L = 50$ pF,<br>$V_{IS} = 5.0$ V <sub>PP</sub> sine wave<br>$V_{IS} = 6.0$ V <sub>PP</sub> sine wave<br>(Figure 19) | 6.0           | 0.0           | 0.10 | %    |
|           |  |   | 3.0           | -3.0          | 0.05 |      |

# MC74LVXT4052



Figure 4. On Resistance, Test Set-Up



Figure 5. Maximum Off Channel Leakage Current, Any One Channel, Test Set-Up

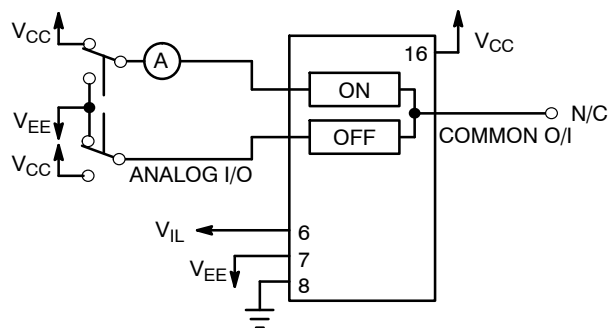


Figure 6. Maximum On Channel Leakage Current, Channel to Channel, Test Set-Up

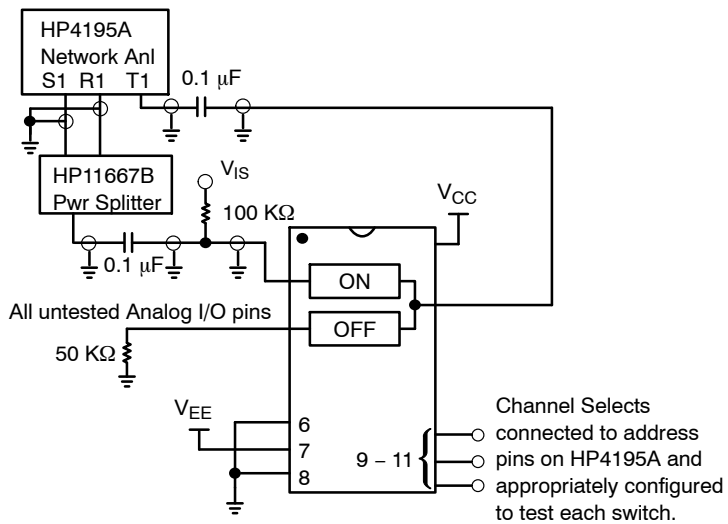
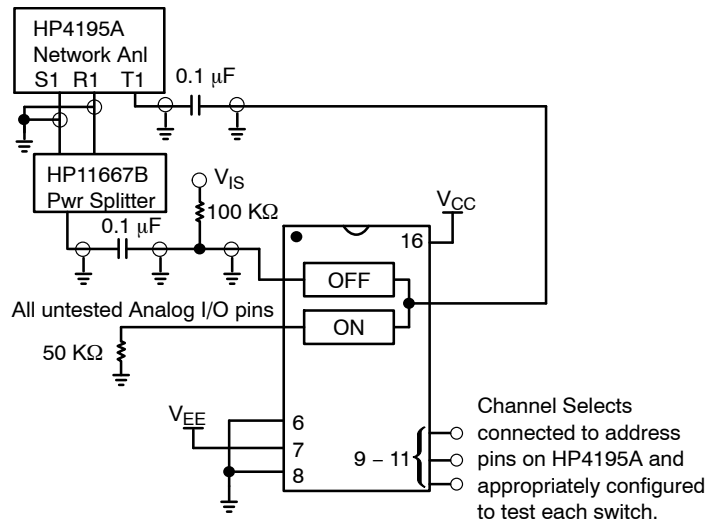


Figure 7. Maximum On Channel Bandwidth, Test Set-Up

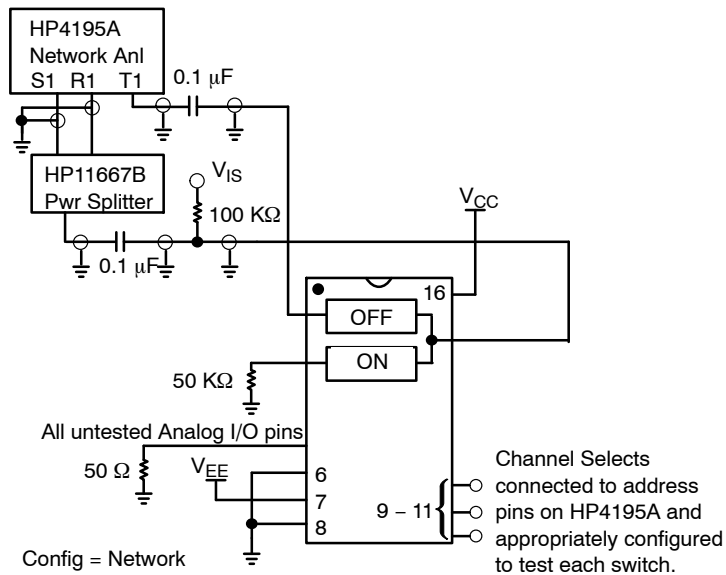
# MC74LVXT4052



Config = Network  
 Format = T/R (dB)  
 CAL = Trans Cal  
 Display = Rectan X - A + B  
 Scale Ref = Auto Scale  
 View = Off, Off, Off  
 Trig = Cont Mode  
 Source Amplitude = +13 dB  
 Reference Attenuation = 20 dB  
 Test Attenuation = 0 dB

$$V_{ISO}(dB) = 20 \log (V_{T1}/V_{R1})$$

**Figure 8. Maximum Off Channel Feedthrough Isolation, Test Set-Up**



Config = Network  
 Format = T/R (dB)  
 CAL = Trans Cal  
 Display = Rectan X - A + B  
 Scale Ref = Auto Scale  
 View = Off, Off, Off  
 Trig = Cont Mode  
 Source Amplitude = +13 dB  
 Reference Attenuation = 20 dB  
 Test Attenuation = 0 dB

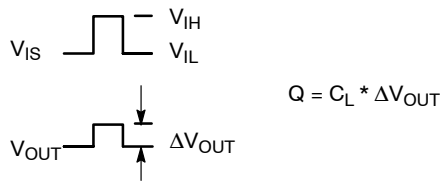
$$V_{ISOC}(dB) = 20 \log (V_{T1}/V_{R1})$$

**Figure 9. Maximum Common-Channel Feedthrough Isolation, Test Set-Up**

# MC74LVXT4052



\*Includes all probe and jig capacitance.



**Figure 10. Charge Injection, Test Set-Up**



**Figure 11. Maximum On Channel Feedthrough On Loss, Test Set-Up**





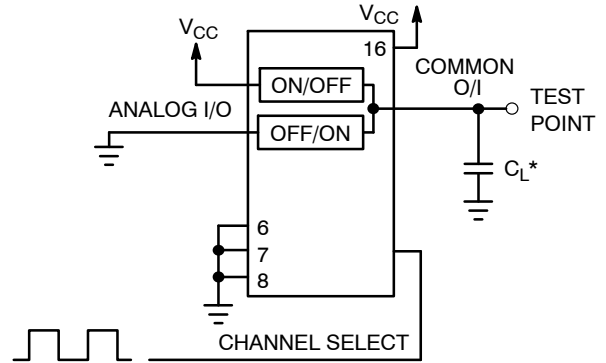
Figure 12. Break-Before-Make, Test Set-Up



Figure 13. Break-Before-Make Time



Figure 14. Propagation Delays, Channel Select to Analog Out



\*Includes all probe and jig capacitance.

Figure 15. Propagation Delay, Test Set-Up Channel Select to Analog Out

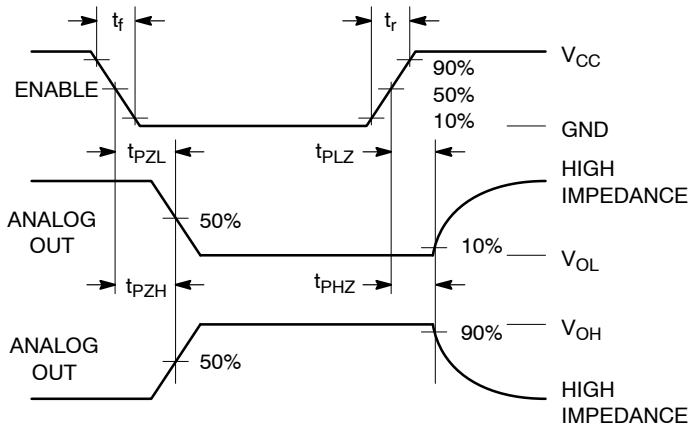


Figure 16. Propagation Delays, Enable to Analog Out

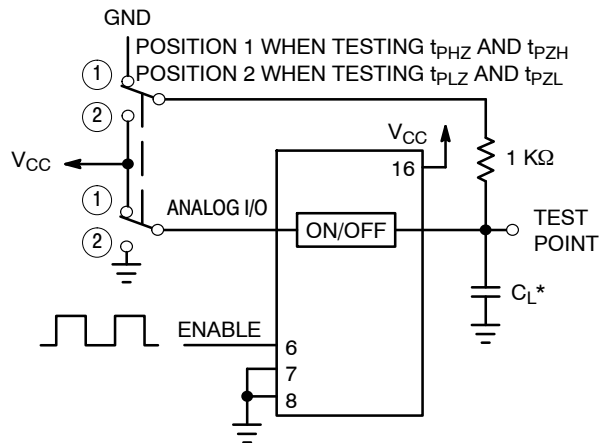


Figure 17. Propagation Delay, Test Set-Up Enable to Analog Out

# MC74LVXT4052



Figure 18. Power Dissipation Capacitance, Test Set-Up

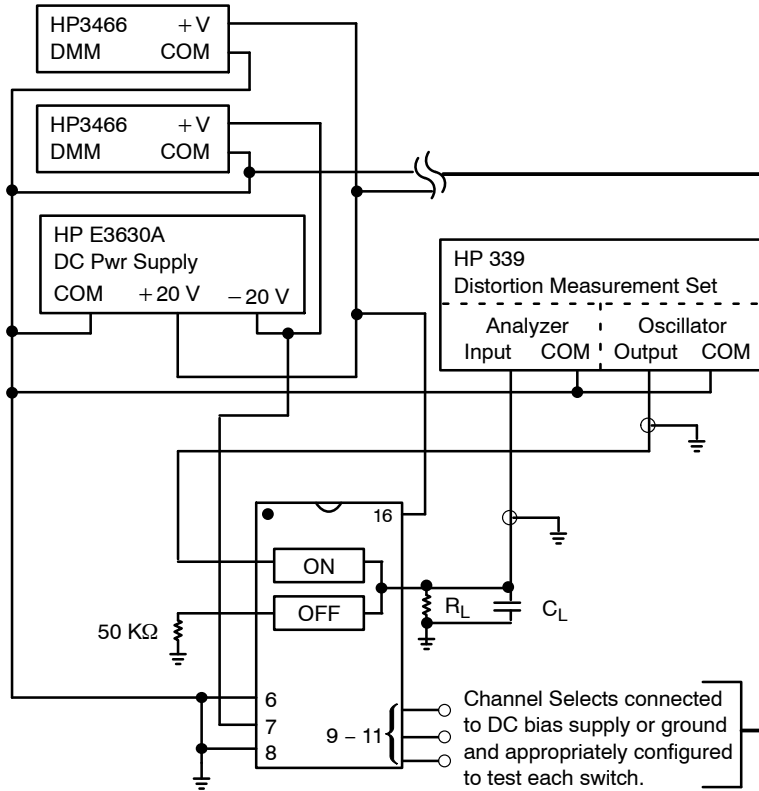


Figure 19. Total Harmonic Distortion, Test Set-Up

APPLICATIONS INFORMATION

The Channel Select and Enable control pins should be at  $V_{CC}$  or GND logic levels.  $V_{CC}$  being recognized as a logic high and GND being recognized as a logic low. In this example:

$$V_{CC} = +5 \text{ V} = \text{logic high}$$

$$GND = 0 \text{ V} = \text{logic low}$$

The maximum analog voltage swing is determined by the supply voltages  $V_{CC}$  and  $V_{EE}$ . The positive peak analog voltage should not exceed  $V_{CC}$ . Similarly, the negative peak analog voltage should not go below  $V_{EE}$ . In this example, the difference between  $V_{CC}$  and  $V_{EE}$  is five volts. Therefore, using the configuration of Figure 21, a maximum analog signal of five volts peak-to-peak can be controlled. Unused analog inputs/outputs may be left floating (i.e., not connected). However, tying unused analog inputs and

outputs to  $V_{CC}$  or GND through a low value resistor helps minimize crosstalk and feedthrough noise that may be picked up by an unused switch.

Although used here, balanced supplies are not a requirement. The only constraints on the power supplies are that:

$$V_{EE} - GND = 0 \text{ to } -6 \text{ volts}$$

$$V_{CC} - GND = 2.5 \text{ to } 6 \text{ volts}$$

$$V_{CC} - V_{EE} = 2.5 \text{ to } 6 \text{ volts}$$

$$\text{and } V_{EE} \leq GND$$

When voltage transients above  $V_{CC}$  and/or below  $V_{EE}$  are anticipated on the analog channels, external Germanium or Schottky diodes ( $D_x$ ) are recommended as shown in Figure 22. These diodes should be able to absorb the maximum anticipated current surges during clipping.

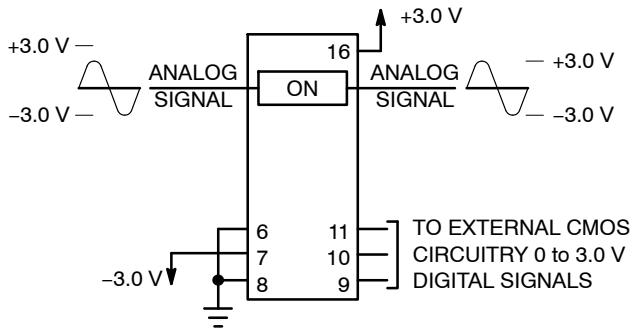


Figure 20. Application Example

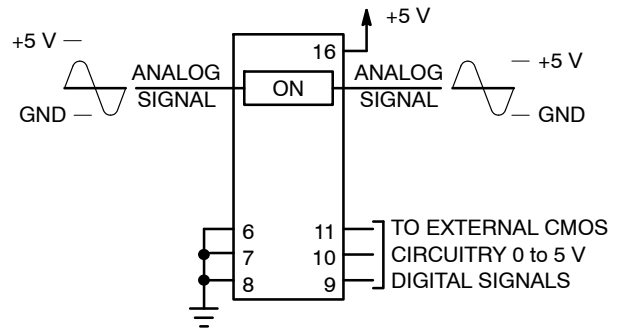


Figure 21. Application Example

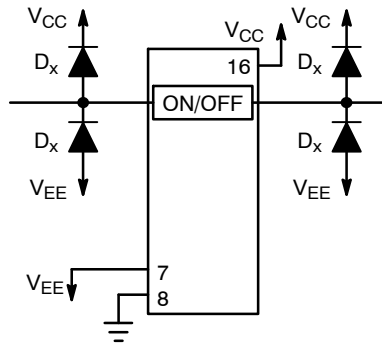


Figure 22. External Germanium or Schottky Clipping Diodes

# MC74LVXT4052

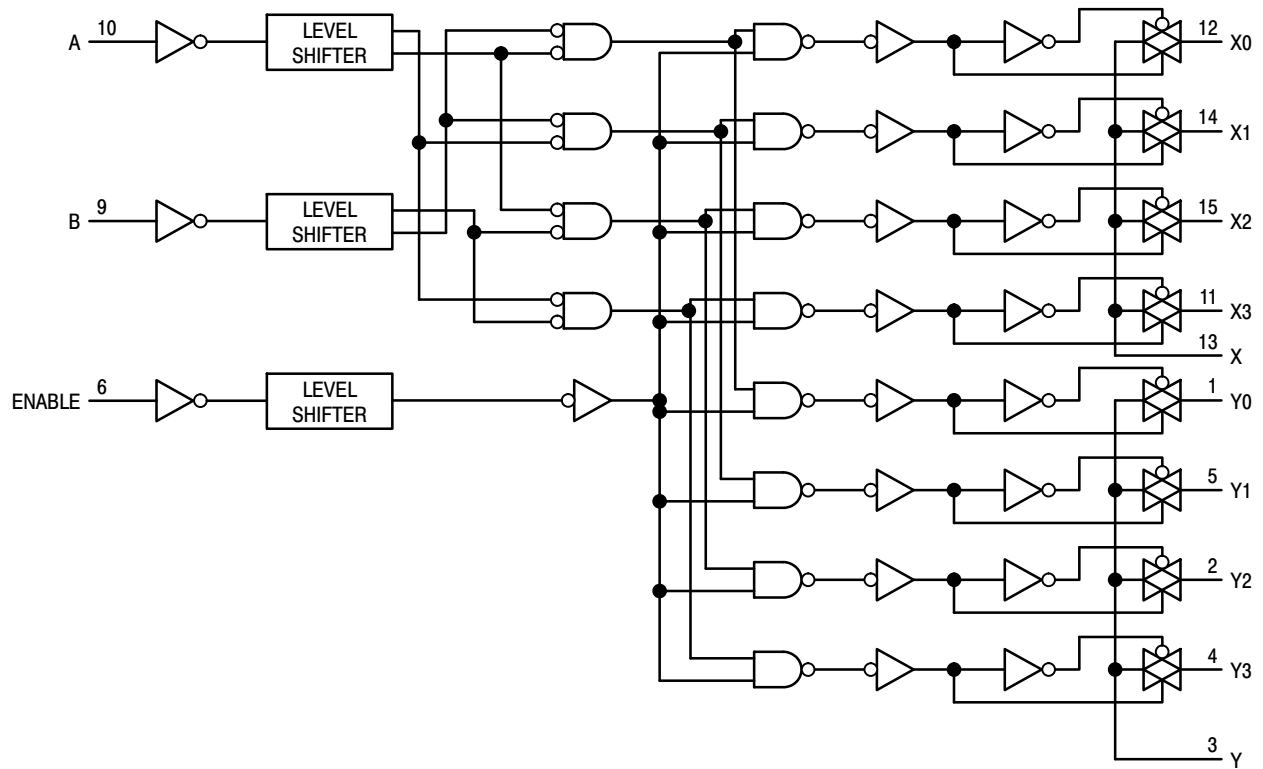
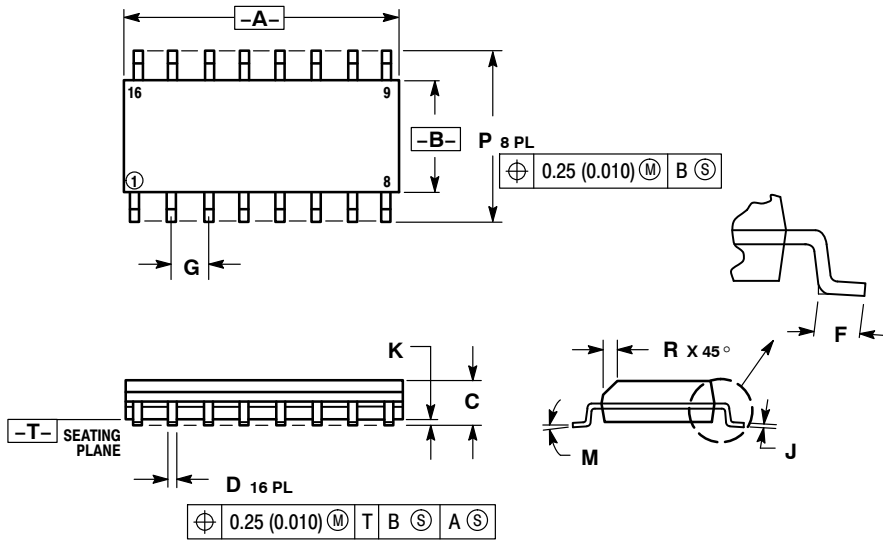


Figure 23. Function Diagram, LVXT4052

# MC74LVXT4052

## PACKAGE DIMENSIONS

SOIC-16  
CASE 751B-05  
ISSUE K

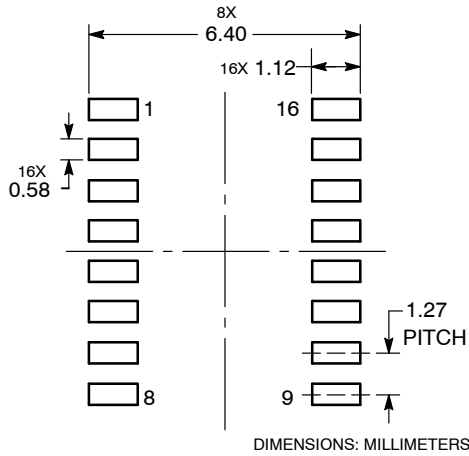


**NOTES:**

1. DIMENSIONING AND TOLERANCING PER ANSI Y14.5M, 1982.
2. CONTROLLING DIMENSION: MILLIMETER.
3. DIMENSIONS A AND B DO NOT INCLUDE MOLD PROTRUSION.
4. MAXIMUM MOLD PROTRUSION 0.15 (0.006) PER SIDE.
5. DIMENSION D DOES NOT INCLUDE DAMBAR PROTRUSION. ALLOWABLE DAMBAR PROTRUSION SHALL BE 0.127 (0.005) TOTAL IN EXCESS OF THE D DIMENSION AT MAXIMUM MATERIAL CONDITION.

| DIM | MILLIMETERS |       | INCHES    |       |
|-----|-------------|-------|-----------|-------|
|     | MIN         | MAX   | MIN       | MAX   |
| A   | 9.80        | 10.00 | 0.386     | 0.393 |
| B   | 3.80        | 4.00  | 0.150     | 0.157 |
| C   | 1.35        | 1.75  | 0.054     | 0.068 |
| D   | 0.35        | 0.49  | 0.014     | 0.019 |
| F   | 0.40        | 1.25  | 0.016     | 0.049 |
| G   | 1.27 BSC    |       | 0.050 BSC |       |
| J   | 0.19        | 0.25  | 0.008     | 0.009 |
| K   | 0.10        | 0.25  | 0.004     | 0.009 |
| M   | 0° - 7°     |       | 0° - 7°   |       |
| P   | 5.80        | 6.20  | 0.229     | 0.244 |
| R   | 0.25        | 0.50  | 0.010     | 0.019 |

### SOLDERING FOOTPRINT



# MC74LVXT4052

## PACKAGE DIMENSIONS

TSSOP-16  
CASE 948F-01  
ISSUE B

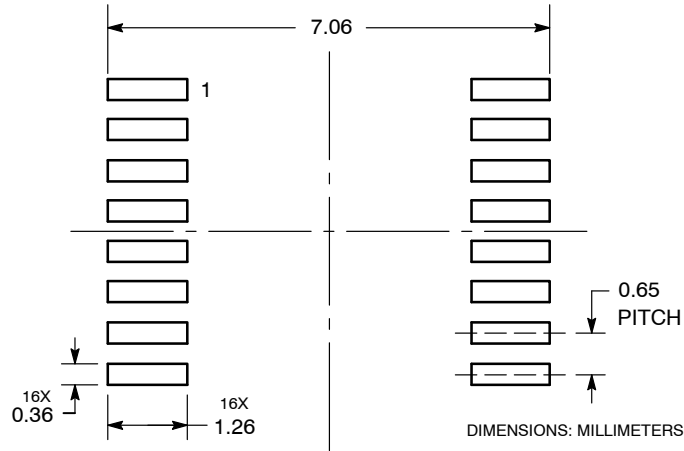


**NOTES:**

1. DIMENSIONING AND TOLERANCING PER ANSI Y14.5M, 1982.
2. CONTROLLING DIMENSION: MILLIMETER.
3. DIMENSION A DOES NOT INCLUDE MOLD FLASH, PROTRUSIONS OR GATE BURRS. MOLD FLASH OR GATE BURRS SHALL NOT EXCEED 0.15 (0.006) PER SIDE.
4. DIMENSION B DOES NOT INCLUDE INTERLEAD FLASH OR PROTRUSION. INTERLEAD FLASH OR PROTRUSION SHALL NOT EXCEED 0.25 (0.010) PER SIDE.
5. DIMENSION K DOES NOT INCLUDE DAMBAR PROTRUSION. ALLOWABLE DAMBAR PROTRUSION SHALL BE 0.08 (0.003) TOTAL IN EXCESS OF THE K DIMENSION AT MAXIMUM MATERIAL CONDITION.
6. TERMINAL NUMBERS ARE SHOWN FOR REFERENCE ONLY.
7. DIMENSION A AND B ARE TO BE DETERMINED AT DATUM PLANE -V-.

| DIM | MILLIMETERS |      | INCHES    |       |
|-----|-------------|------|-----------|-------|
|     | MIN         | MAX  | MIN       | MAX   |
| A   | 4.90        | 5.10 | 0.193     | 0.200 |
| B   | 4.30        | 4.50 | 0.169     | 0.177 |
| C   | ---         | 1.20 | ---       | 0.047 |
| D   | 0.05        | 0.15 | 0.002     | 0.006 |
| F   | 0.50        | 0.75 | 0.020     | 0.030 |
| G   | 0.65 BSC    |      | 0.026 BSC |       |
| H   | 0.18        | 0.28 | 0.007     | 0.011 |
| J   | 0.09        | 0.20 | 0.004     | 0.008 |
| J1  | 0.09        | 0.16 | 0.004     | 0.006 |
| K   | 0.19        | 0.30 | 0.007     | 0.012 |
| K1  | 0.19        | 0.25 | 0.007     | 0.010 |
| L   | 6.40 BSC    |      | 0.252 BSC |       |
| M   | 0°          | 8°   | 0°        | 8°    |

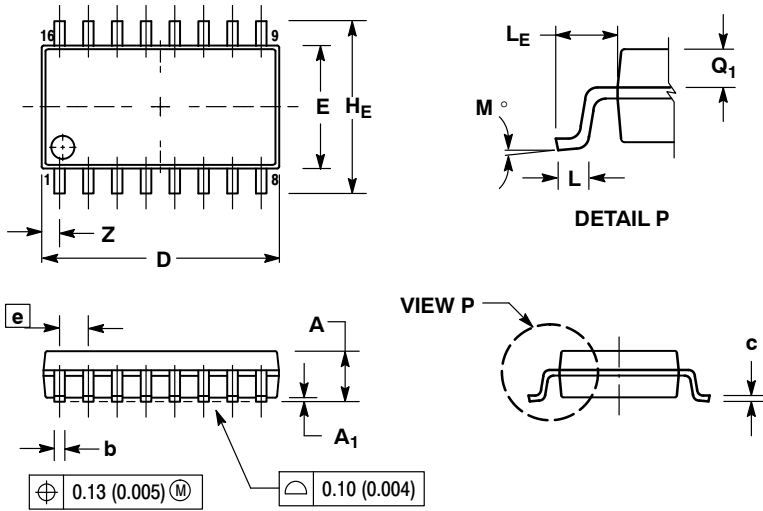
### SOLDERING FOOTPRINT



# MC74LVXT4052

## PACKAGE DIMENSIONS

SOEIAJ-16  
CASE 966-01  
ISSUE A



### NOTES:

1. DIMENSIONING AND TOLERANCING PER ANSI Y14.5M, 1982.
2. CONTROLLING DIMENSION: MILLIMETER.
3. DIMENSIONS D AND E DO NOT INCLUDE MOLD FLASH OR PROTRUSIONS AND ARE MEASURED AT THE PARTING LINE. MOLD FLASH OR PROTRUSIONS SHALL NOT EXCEED 0.15 (0.006) PER SIDE.
4. TERMINAL NUMBERS ARE SHOWN FOR REFERENCE ONLY.
5. THE LEAD WIDTH DIMENSION (b) DOES NOT INCLUDE DAMBAR PROTRUSION. ALLOWABLE DAMBAR PROTRUSION SHALL BE 0.08 (0.003) TOTAL IN EXCESS OF THE LEAD WIDTH DIMENSION AT MAXIMUM MATERIAL CONDITION. DAMBAR CANNOT BE LOCATED ON THE LOWER RADIUS OR THE FOOT. MINIMUM SPACE BETWEEN PROTRUSIONS AND ADJACENT LEAD TO BE 0.46 (0.018).

| DIM            | MILLIMETERS |       | INCHES    |       |
|----------------|-------------|-------|-----------|-------|
|                | MIN         | MAX   | MIN       | MAX   |
| A              | ---         | 2.05  | ---       | 0.081 |
| A <sub>1</sub> | 0.05        | 0.20  | 0.002     | 0.008 |
| b              | 0.35        | 0.50  | 0.014     | 0.020 |
| c              | 0.10        | 0.20  | 0.007     | 0.011 |
| D              | 9.90        | 10.50 | 0.390     | 0.413 |
| E              | 5.10        | 5.45  | 0.201     | 0.215 |
| e              | 1.27 BSC    |       | 0.050 BSC |       |
| H <sub>E</sub> | 7.40        | 8.20  | 0.291     | 0.323 |
| L              | 0.50        | 0.85  | 0.020     | 0.033 |
| L <sub>E</sub> | 1.10        | 1.50  | 0.043     | 0.059 |
| M              | 0°          | 10°   | 0°        | 10°   |
| Q <sub>1</sub> | 0.70        | 0.90  | 0.028     | 0.035 |
| Z              | ---         | 0.78  | ---       | 0.031 |

ON Semiconductor and are registered trademarks of Semiconductor Components Industries, LLC (SCILLC). SCILLC reserves the right to make changes without further notice to any products herein. SCILLC makes no warranty, representation or guarantee regarding the suitability of its products for any particular purpose, nor does SCILLC assume any liability arising out of the application or use of any product or circuit, and specifically disclaims any and all liability, including without limitation special, consequential or incidental damages. "Typical" parameters which may be provided in SCILLC data sheets and/or specifications can and do vary in different applications and actual performance may vary over time. All operating parameters, including "Typicals" must be validated for each customer application by customer's technical experts. SCILLC does not convey any license under its patent rights nor the rights of others. SCILLC products are not designed, intended, or authorized for use as components in systems intended for surgical implant into the body, or other applications intended to support or sustain life, or for any other application in which the failure of the SCILLC product could create a situation where personal injury or death may occur. Should Buyer purchase or use SCILLC products for any such unintended or unauthorized application, Buyer shall indemnify and hold SCILLC and its officers, employees, subsidiaries, affiliates, and distributors harmless against all claims, costs, damages, and expenses, and reasonable attorney fees arising out of, directly or indirectly, any claim of personal injury or death associated with such unintended or unauthorized use, even if such claim alleges that SCILLC was negligent regarding the design or manufacture of the part. SCILLC is an Equal Opportunity/Affirmative Action Employer. This literature is subject to all applicable copyright laws and is not for resale in any manner.

### PUBLICATION ORDERING INFORMATION

**LITERATURE FULFILLMENT:**  
Literature Distribution Center for ON Semiconductor  
P.O. Box 5163, Denver, Colorado 80217 USA  
**Phone:** 303-675-2175 or 800-344-3860 Toll Free USA/Canada  
**Fax:** 303-675-2176 or 800-344-3867 Toll Free USA/Canada  
**Email:** orderlit@onsemi.com

**N. American Technical Support:** 800-282-9855 Toll Free  
USA/Canada  
**Europe, Middle East and Africa Technical Support:**  
Phone: 421 33 790 2910  
**Japan Customer Focus Center**  
Phone: 81-3-5773-3850

**ON Semiconductor Website:** [www.onsemi.com](http://www.onsemi.com)

**Order Literature:** <http://www.onsemi.com/orderlit>

For additional information, please contact your local Sales Representative